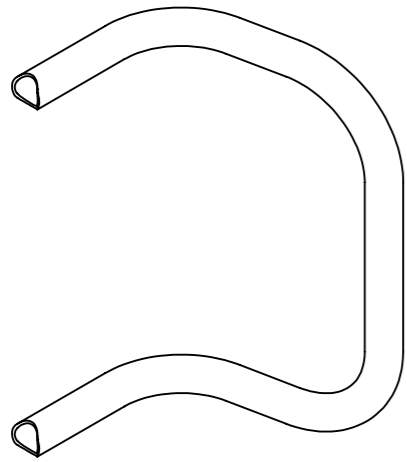
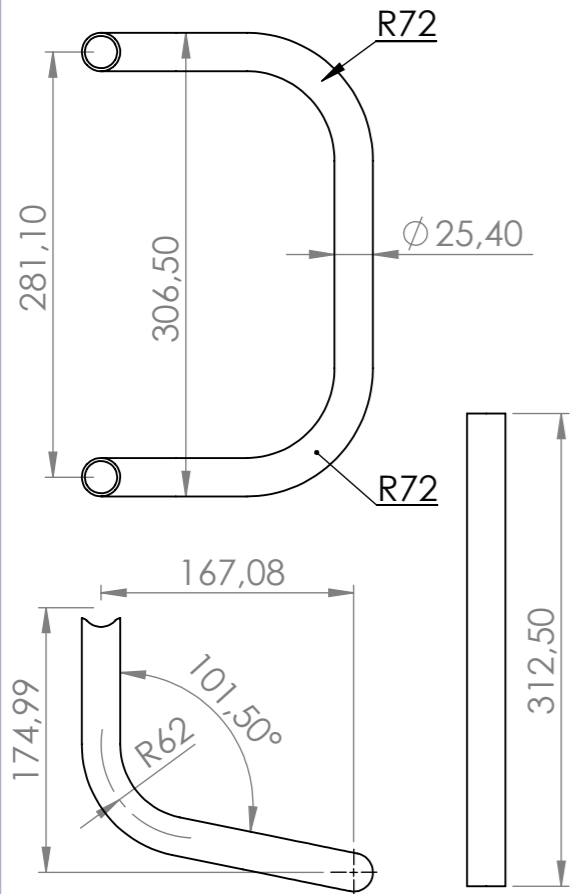
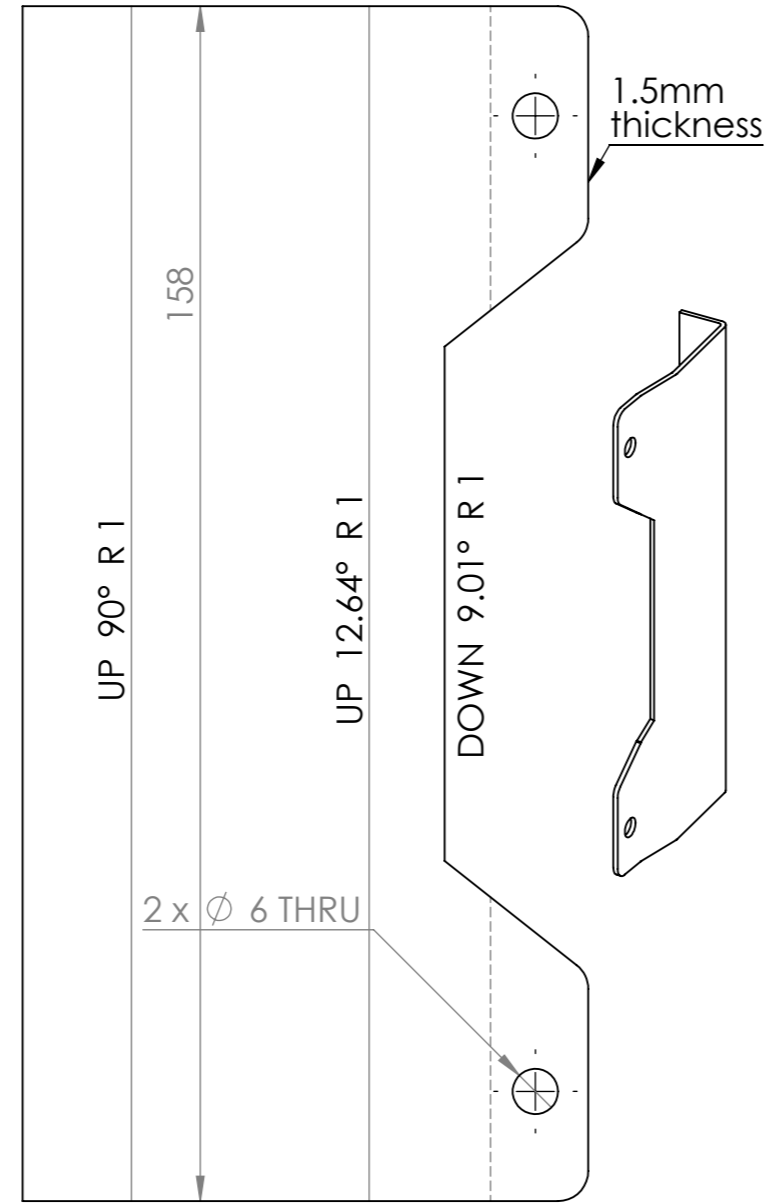


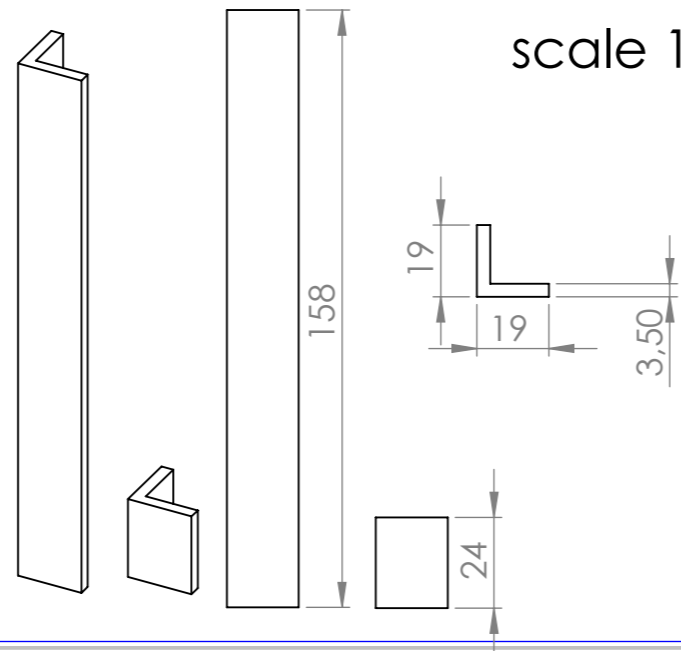
One inch tubing parts
scale 1:5



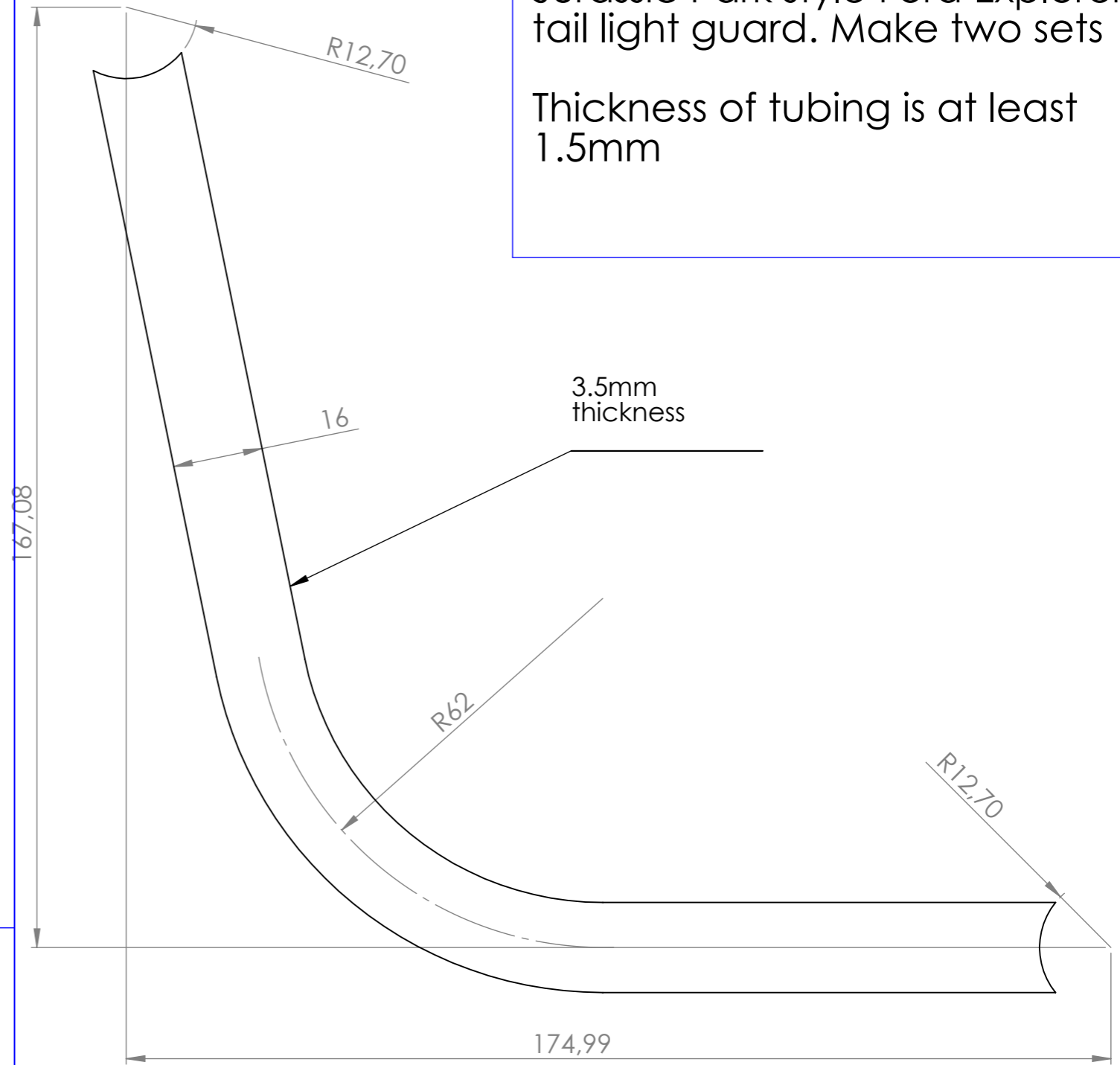
Sheet metal mount.
Bend to shape
scale 1:1



Vertical base & support
scale 1:2



x4 flat bars
scale 1:1



Parts needed to assemble
Jurassic Park style Ford Explorer
tail light guard. Make two sets

Thickness of tubing is at least
1.5mm

UNLESS OTHERWISE SPECIFIED: DIMENSIONS ARE IN MILLIMETERS SURFACE FINISH: TOLERANCES: LINEAR: ANGULAR:				FINISH:		DEBUR AND BREAK SHARP EDGES		DO NOT SCALE DRAWING		REVISION	
								tomas_tjernberg@hotmail.com			
								TITLE:			
DRAWN Tomas Tjernberg				SIGNATURE				DATE			
CHK'D											
APPV'D											
MFG											
Q.A								MATERIAL:			
								DWG NO.			
								explorer_tail_light_guard_part			
								SCALE:1:5			
								SHEET 1 OF 1			